

## Super ❖ SAFECAGE ❖

*Why risk loss ...  
when you can feel secure?*

In-stock  
Immediate Shipping  
Custom Sizing Available  
Call 1-800-66-BKFLO

### FEATURES

- Provides protection from vandalism and theft
- Blends with landscape for a more pleasant appearance
- Allows 360° view of backflow preventor
- Solid construction and reliably impenetrable
- Easy access for repair and testing
- Green powder coated finish

### CHARACTERISTICS

- CAGE:  
1" angle steel frame expanded metal hinged on one end complete with anchors and bolts
- HINGES:  
1/4" flat steel with mounting hardware choice of surface or inset installation swing or lift-off feature

### OPTIONAL: Quick Setter Bracket

### Super ❖ SAFECAGE ❖

Quick setter allows for a fast & easy installation -  
No measuring or drilling necessary!

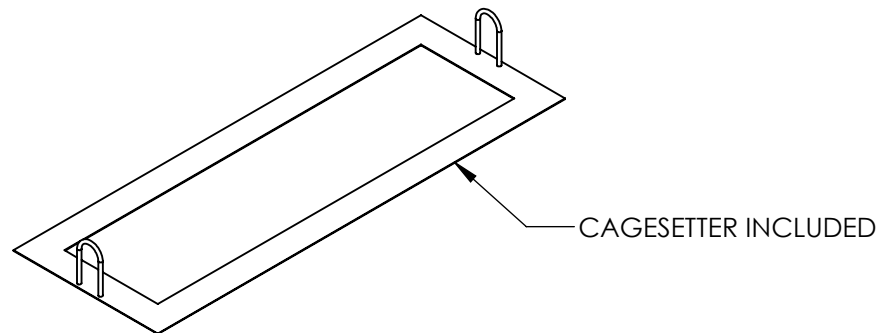
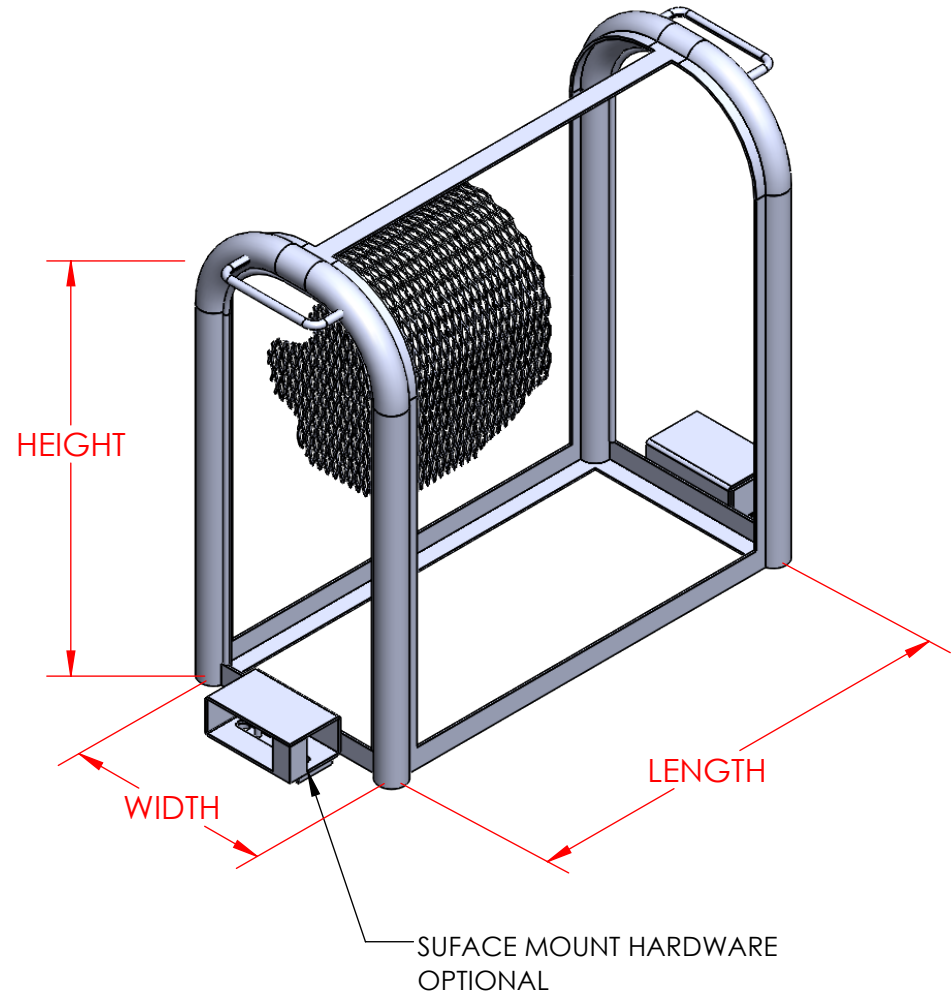
**NOTE:** Hinge setter to be installed under 2" of concrete.  
Leave hinge clearance bar a minimum of 2" exposed above  
cement for cage hinge clearance.

PART #	OD(WxLxH)	ID(WxLxH)	*SIZE	WT.
VBLO-2424	16"x27"x24"	13"x24"x24"	3/4"	39LB
VBLO-3024	16"x33"x24"	13"x30"x24"	1"-1 1/4"	43LB
VBLO-3030	16"x33"x30"	13"x30"x30"	1"-1 1/4"	54LB
VBLO-3630	16"x39"x30"	13"x36"x30"	1 1/4"-2"	60LB
VBLO-4224	16"x45"x24"	13"x42"x24"	1 1/4"-2"	65LB
VBLO-4230	16"x45"x30"	13"x42"x30"	1 1/4"-2"	65LB
VBLO-4830	16"x51"x30"	13"x48"x30"	1 1/4"-2"	70LB

\* SIZE BACKFLOW THAT WILL FIT ENCLOSURE

**SPECS**

- 1-1/2" ROUND TUBING FRAME
- 1" X 1/8" MILD STEEL ANGLE
- 1/2" #13 FLATTENED EXPANDED METAL
- STEEL PADLOCK PLATE WELDED TO ENCLOSURE
- COMES WITH POUR IN PLACE CAGESETTER (SURFACE MOUNT OPTIONAL)
- POWDER COATED
- LIMITED WARRANTY (5 YEARS) (POWDER COAT 1 YEAR)
- CUSTOMIZE ANY ENCLOSURE ~ CALL FACTORY FOR PRICE AND LEAD TIMES





# Model 975XL2

## Reduced Pressure Principle Assembly

### Application

Ideal for use where Lead-Free\* valves are required. Designed for installation on potable water lines to protect against both backsiphonage and backpressure of contaminated water into the potable water supply. Assembly shall provide protection where a potential health hazard exists. The assembly can be configured with a relief valve sensor that detects and signals excessive water discharge that, if left undetected, may cause property damage from flooding.

### Standards Compliance

- ASSE® Listed 1013
- cUPC® Listed
- CSA® Certified B64.4
- AWWA Compliant C511
- Approved by the Foundation for Cross Connection Control and Hydraulic Research at the University of Southern California
- Meets the requirements of NSF/ANSI/CAN 61 and 372\*  
\*(LESS THAN 0.25% WEIGHTED AVERAGE LEAD CONTENT)
- UL® Classified (less shut-off valves or with OS&Y valves)
- C-UL® Classified

### Materials

Main valve body	Low Lead Cast Bronze ASTM B 584
Access covers	Low Lead Cast Bronze ASTM B 584
Fasteners	Stainless Steel, 300 Series
Elastomers	Silicone
	Buna Nitrile
Polymers	Noryl™
Springs	Stainless Steel, 300 series
Ball valve handles	Stainless Steel

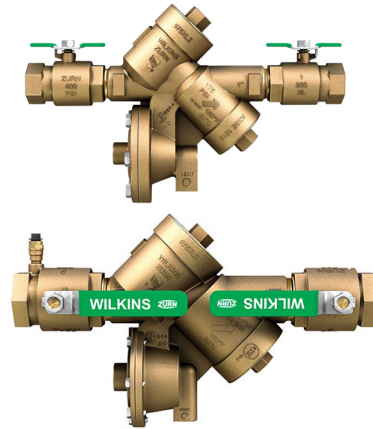
### Features

Sizes: 3/4", 1", 1-1/4", 1-1/2", 2"	175 PSI
Maximum working water pressure	180°F
Maximum working water temperature	350 PSI
Hydrostatic test pressure	ANSI B1.20.1
End connections Threaded	

Relief Valve discharge port:	
3/4" - 1"	- 0.63 sq. in.
1 1/4" - 2"	- 1.19 sq. in.

### Dimensions & Weights (do not include pkg.)

MODEL SIZE		DIMENSIONS (approximate)														WITH BALL VALVES	
		A		B		C		D		E		F		G			
in.	mm	in.	mm	in.	mm	in.	mm	in.	mm	in.	mm	in.	mm	in.	mm	lbs.	kg
3/4	20	12	305	7 3/4	197	2 1/8	54	3	76	3 1/2	89	5	127	16 1/8	410	12	5.5
1	25	13	330	7 3/4	197	2 1/8	54	3	76	3 1/2	89	5	127	17 3/8	441	14	6.4
1 1/4	32	17	432	10 15/16	278	2 3/4	70	3 1/2	89	5	127	6 3/4	171	22 9/16	573	28	12.7
1 1/2	40	17 3/8	441	10 15/16	278	2 3/4	70	3 1/2	89	5	127	6 3/4	171	24 1/16	611	28	12.7
2	50	18 1/2	470	10 15/16	278	2 3/4	70	3 1/2	89	5	127	6 3/4	171	26 1/2	673	34	15.4



LEAD FREE



NSF/ANSI/CAN 61 & 372



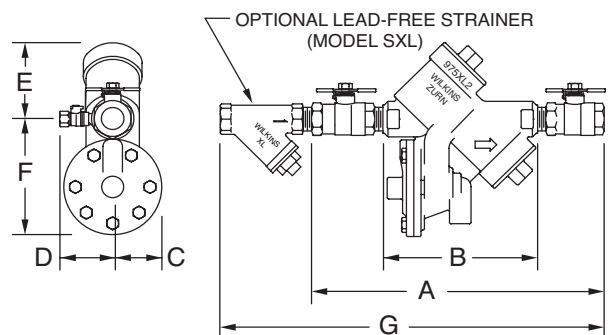
### Options

(Suffixes can be combined)

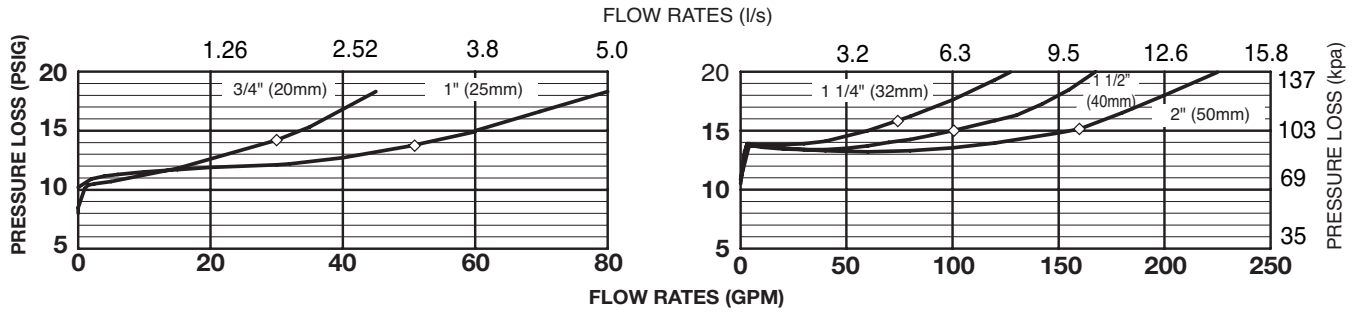
- with full port QT ball valves (standard)
- MS - with relief valve excessive discharge sensor for flood detection and two-wire connection
- SE - with street elbows (3/4" & 1")
- U - with union ball valves
- TCU - with test cocks up
- FT - with integral male 45° flare SAE test fitting
- S - with bronze "Y" type strainer

### Accessories

- Air gap (Model AG)
- Repair kits (rubber only)
- Thermal expansion tank (Mdl. XT)
- Soft seated check valve (Model 40XL2)
- Shock arrester (Model 1260XL)
- QT-SET Quick Test Fitting Set
- Relief Valve Monitoring Retrofit Kit (RFK-975XL2MS)



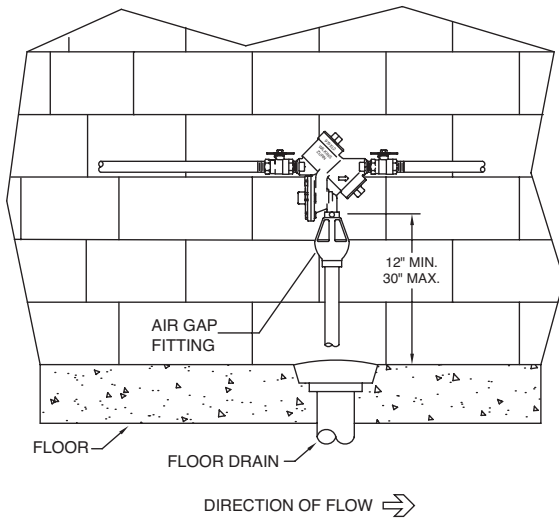
**MODEL 975XL2 3/4", 1", 1 1/4", 1 1/2" & 2" (STANDARD & METRIC)**



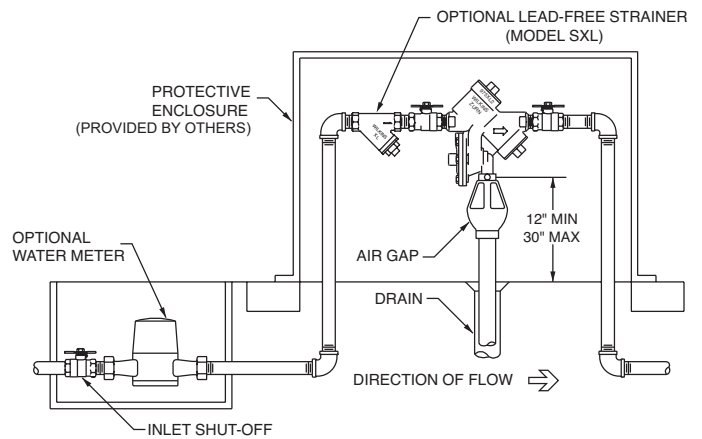
**Typical Installation**

Local codes shall govern installation requirements. To be installed in accordance with the manufacturers' instructions and the latest edition of the Uniform Plumbing Code. Unless otherwise specified, the assembly shall be mounted at a minimum of 12" (305mm) and a maximum of 30" (762mm) above adequate drains with sufficient side clearance for testing and maintenance. The installation shall be made so that no part of the unit can be submerged.

Capacity thru Schedule 40 Pipe				
Pipe size	5 ft/sec	7.5 ft/sec	10 ft/sec	15 ft/sec
1/8"	1	1	2	3
1/4"	2	2	3	5
3/8"	3	4	6	9
1/2"	5	7	9	14
3/4"	8	12	17	25
1"	13	20	27	40
1 1/4"	23	35	47	70
1 1/2"	32	48	63	95
2"	52	78	105	167



**INDOOR INSTALLATION**



**OUTDOOR INSTALLATION**

**Specifications**

The Reduced Pressure Principle Backflow Preventer shall be certified to NSF/ANSI/CAN 61 and 372, shall be ASSE® Listed 1013, rated to 180°F, and supplied with full port ball valves. The main body and access covers shall be low lead bronze (ASTM B 584), the seat ring and all internal polymers shall be Noryl™ and the seat disc elastomers shall be silicone. The first and second checks shall be accessible for maintenance without removing the relief valve or the entire device from the line. If installed indoors, the installation shall be supplied with an air gap adapter. The assembly shall be configurable to include a sensor to monitor excessive water discharge from the relief valve for flood detection. The Reduced Pressure Principle Backflow Preventer shall be a ZURN WILKINS Model 975XL2.