

LA MESA-SPRING VALLEY SCHOOL DISTRICT

Purchasing Department
4750 Date Avenue
La Mesa CA 91942

BID NUMBER FB #25/26-003
CALFIRE GREEN SCHOOLYARDS
PROJECT

THIS ADDENDUM IS ISSUED AS ADDITIONAL INFORMATION AND/OR AS A CHANGE IN SPECIFICATIONS OR INSTRUCTIONS TO ALL PROSPECTIVE BIDDERS INTERESTED IN THE ABOVE-MENTIONED REQUEST FOR PROPOSAL.

ITEM 1: RESPONSE TO REQUESTED INFORMATION

Question 1: Plant legend on L2.0 shows all planter areas to receive Forest Fines Mulch. However, planting notes I/part II on L2.2 indicates Walk on mulch. Please clarify.

Response: Please use Forest Fines mulch.

Question 2: Planting keynote on L2.0 shows repair and replace any turf, plant material or DG damage during demo or construction. Please provide the type of turf, plant & DG for repairing & replacing.

Response: The intent is if any areas are damaged due to construction, the contractor is to repair is back to its same condition or better. The intent of the mandatory job walk was for the contractors to see the existing conditions.

Question 3: Please provide the ratios for soil amendments for the bidding purpose.

Response: Soils analysis is to be performed by the contractor

Question 4: Please provide detail for installation of backflow preventer as shown in the irrigation plan site Spring Valley Academy.

Response: Please see the attached product data sheets for the backflow and cage. A concrete pad will be required at the backflow location for the cage to sit on. Bag mix concrete is acceptable.

Question 5: Irrigation legend and irrigation notes B/ part III on L1.3 shows pipe and wire sleeve minimum cover shall be 24". However, detail B/L1.2 called out 24" min. for 3" & larger and 18" min. for 2-1/2" & smaller. Please clarify.

Response: 24" min. for 3" & larger and 18" min. for 2-1/2" & smaller

END OF ADDENDUM #3 DOCUMENT

PLEASE SIGN AND RETURN WITH BID

SIGNATURE ACKNOWLEDGEMENT



Model 975XL2

Reduced Pressure Principle Assembly

Application

Ideal for use where Lead-Free* valves are required. Designed for installation on potable water lines to protect against both backsiphonage and backpressure of contaminated water into the potable water supply. Assembly shall provide protection where a potential health hazard exists. The assembly can be configured with a relief valve sensor that detects and signals excessive water discharge that, if left undetected, may cause property damage from flooding.

Standards Compliance

- ASSE® Listed 1013
- cUPC® Listed
- CSA® Certified B64.4
- AWWA Compliant C511
- Approved by the Foundation for Cross Connection Control and Hydraulic Research at the University of Southern California
- Meets the requirements of NSF/ANSI/CAN 61 and 372*
*(LESS THAN 0.25% WEIGHTED AVERAGE LEAD CONTENT)
- UL® Classified (less shut-off valves or with OS&Y valves)
- C-UL® Classified

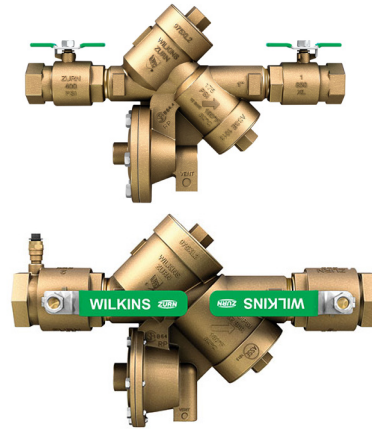
Materials

| | |
|--------------------|---------------------------------|
| Main valve body | Low Lead Cast Bronze ASTM B 584 |
| Access covers | Low Lead Cast Bronze ASTM B 584 |
| Fasteners | Stainless Steel, 300 Series |
| Elastomers | Silicone |
| | Buna Nitrile |
| Polymers | Noryl™ |
| Springs | Stainless Steel, 300 series |
| Ball valve handles | Stainless Steel |

Features

| | |
|-------------------------------------|--------------|
| Sizes: 3/4", 1", 1-1/4", 1-1/2", 2" | 175 PSI |
| Maximum working water pressure | 180°F |
| Maximum working water temperature | 350 PSI |
| Hydrostatic test pressure | ANSI B1.20.1 |
| End connections Threaded | |

| | |
|------------------------------|----------------|
| Relief Valve discharge port: | |
| 3/4" - 1" | - 0.63 sq. in. |
| 1 1/4" - 2" | - 1.19 sq. in. |



LEAD FREE



NSF/ANSI/CAN 61 & 372



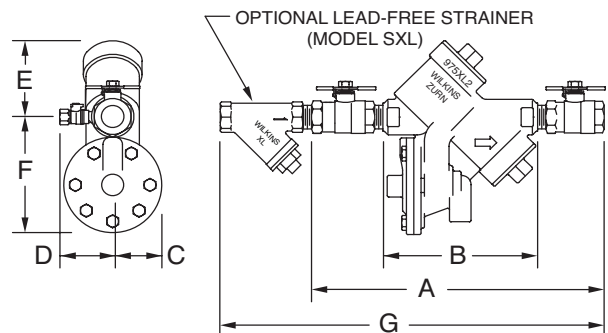
Options

(Suffixes can be combined)

- with full port QT ball valves (standard)
- MS - with relief valve excessive discharge sensor for flood detection and two-wire connection
- SE - with street elbows (3/4" & 1")
- U - with union ball valves
- TCU - with test cocks up
- FT - with integral male 45° flare SAE test fitting
- S - with bronze "Y" type strainer

Accessories

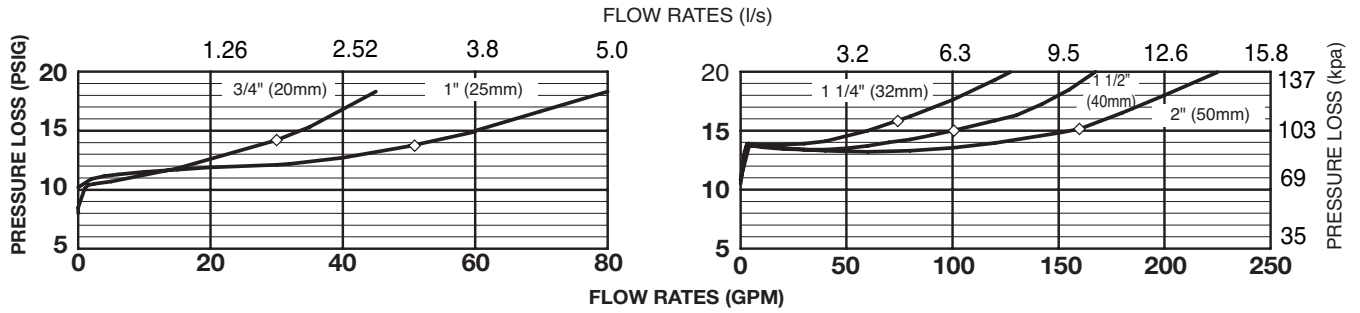
- Air gap (Model AG)
- Repair kits (rubber only)
- Thermal expansion tank (Mdl. XT)
- Soft seated check valve (Model 40XL2)
- Shock arrester (Model 1260XL)
- QT-SET Quick Test Fitting Set
- Relief Valve Monitoring Retrofit Kit (RFK-975XL2MS)



Dimensions & Weights (do not include pkg.)

| MODEL SIZE | | DIMENSIONS (approximate) | | | | | | | | | | | | | | WITH BALL VALVES | |
|------------|----|--------------------------|-----|----------|-----|-------|----|-------|----|-------|-----|-------|-----|---------|-----|------------------|------|
| | | A | | B | | C | | D | | E | | F | | G | | | |
| in. | mm | in. | mm | in. | mm | in. | mm | in. | mm | in. | mm | in. | mm | in. | mm | lbs. | kg |
| 3/4 | 20 | 12 | 305 | 7 3/4 | 197 | 2 1/8 | 54 | 3 | 76 | 3 1/2 | 89 | 5 | 127 | 16 1/8 | 410 | 12 | 5.5 |
| 1 | 25 | 13 | 330 | 7 3/4 | 197 | 2 1/8 | 54 | 3 | 76 | 3 1/2 | 89 | 5 | 127 | 17 3/8 | 441 | 14 | 6.4 |
| 1 1/4 | 32 | 17 | 432 | 10 15/16 | 278 | 2 3/4 | 70 | 3 1/2 | 89 | 5 | 127 | 6 3/4 | 171 | 22 9/16 | 573 | 28 | 12.7 |
| 1 1/2 | 40 | 17 3/8 | 441 | 10 15/16 | 278 | 2 3/4 | 70 | 3 1/2 | 89 | 5 | 127 | 6 3/4 | 171 | 24 1/16 | 611 | 28 | 12.7 |
| 2 | 50 | 18 1/2 | 470 | 10 15/16 | 278 | 2 3/4 | 70 | 3 1/2 | 89 | 5 | 127 | 6 3/4 | 171 | 26 1/2 | 673 | 34 | 15.4 |

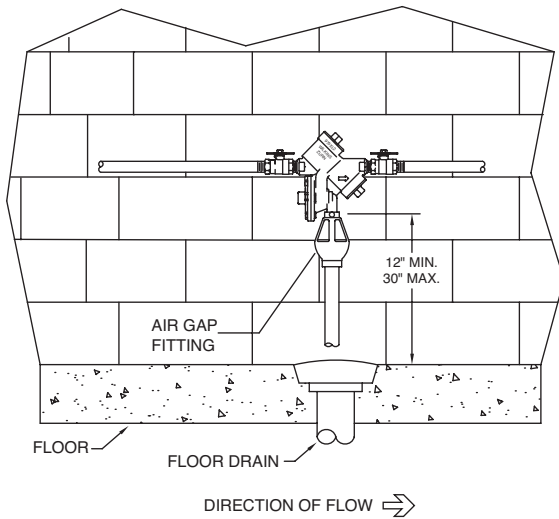
MODEL 975XL2 3/4", 1", 1 1/4", 1 1/2" & 2" (STANDARD & METRIC)



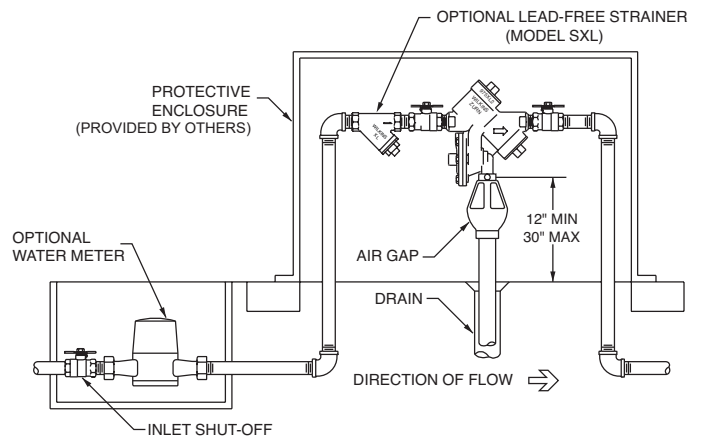
Typical Installation

Local codes shall govern installation requirements. To be installed in accordance with the manufacturers' instructions and the latest edition of the Uniform Plumbing Code. Unless otherwise specified, the assembly shall be mounted at a minimum of 12" (305mm) and a maximum of 30" (762mm) above adequate drains with sufficient side clearance for testing and maintenance. The installation shall be made so that no part of the unit can be submerged.

| Capacity thru Schedule 40 Pipe | | | | |
|--------------------------------|----------|------------|-----------|-----------|
| Pipe size | 5 ft/sec | 7.5 ft/sec | 10 ft/sec | 15 ft/sec |
| 1/8" | 1 | 1 | 2 | 3 |
| 1/4" | 2 | 2 | 3 | 5 |
| 3/8" | 3 | 4 | 6 | 9 |
| 1/2" | 5 | 7 | 9 | 14 |
| 3/4" | 8 | 12 | 17 | 25 |
| 1" | 13 | 20 | 27 | 40 |
| 1 1/4" | 23 | 35 | 47 | 70 |
| 1 1/2" | 32 | 48 | 63 | 95 |
| 2" | 52 | 78 | 105 | 167 |



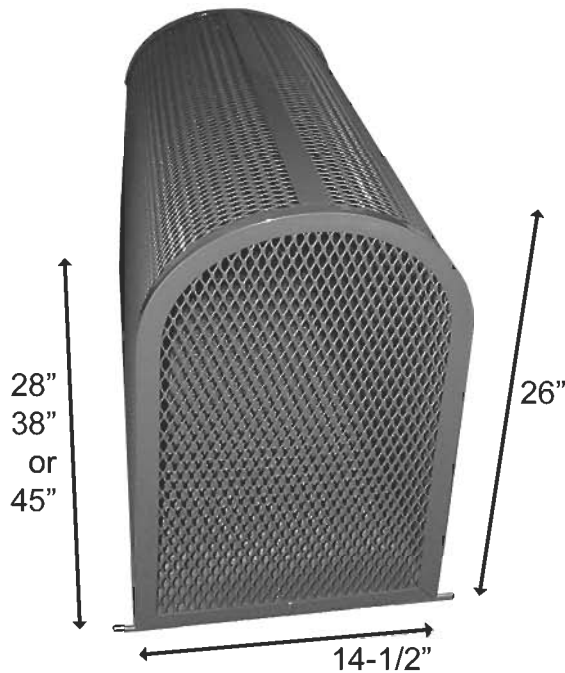
INDOOR INSTALLATION



OUTDOOR INSTALLATION

Specifications

The Reduced Pressure Principle Backflow Preventer shall be certified to NSF/ANSI/CAN 61 and 372, shall be ASSE® Listed 1013, rated to 180°F, and supplied with full port ball valves. The main body and access covers shall be low lead bronze (ASTM B 584), the seat ring and all internal polymers shall be Noryl™ and the seat disc elastomers shall be silicone. The first and second checks shall be accessible for maintenance without removing the relief valve or the entire device from the line. If installed indoors, the installation shall be supplied with an air gap adapter. The assembly shall be configurable to include a sensor to monitor excessive water discharge from the relief valve for flood detection. The Reduced Pressure Principle Backflow Preventer shall be a ZURN WILKINS Model 975XL2.



Super ❖ SAFECAGE ❖

*Why risk loss ...
when you can feel secure?*

In-stock
Immediate Shipping
Custom Sizing Available
Call 1-800-66-BKFLO

FEATURES

- Provides protection from vandalism and theft
- Blends with landscape for a more pleasant appearance
- Allows 360° view of backflow preventor
- Solid construction and reliably impenetrable
- Easy access for repair and testing
- Green powder coated finish

CHARACTERISTICS

- CAGE:
1" angle steel frame expanded metal hinged on one end complete with anchors and bolts
- HINGES:
1/4" flat steel with mounting hardware choice of surface or inset installation swing or lift-off feature

OPTIONAL: Quick Setter Bracket

Super ❖ SAFECAGE ❖

Quick setter allows for a fast & easy installation -
No measuring or drilling necessary!

NOTE: Hinge setter to be installed under 2" of concrete.
Leave hinge clearance bar a minimum of 2" exposed above
cement for cage hinge clearance.

| PART # | OD(WxLxH) | ID(WxLxH) | *SIZE | WT. |
|-----------|-------------|-------------|-----------|------|
| VBLO-2424 | 16"x27"x24" | 13"x24"x24" | 3/4" | 39LB |
| VBLO-3024 | 16"x33"x24" | 13"x30"x24" | 1"-1 1/4" | 43LB |
| VBLO-3030 | 16"x33"x30" | 13"x30"x30" | 1"-1 1/4" | 54LB |
| VBLO-3630 | 16"x39"x30" | 13"x36"x30" | 1 1/4"-2" | 60LB |
| VBLO-4224 | 16"x45"x24" | 13"x42"x24" | 1 1/4"-2" | 65LB |
| VBLO-4230 | 16"x45"x30" | 13"x42"x30" | 1 1/4"-2" | 65LB |
| VBLO-4830 | 16"x51"x30" | 13"x48"x30" | 1 1/4"-2" | 70LB |

* SIZE BACKFLOW THAT WILL FIT ENCLOSURE

SPECS

- 1-1/2" ROUND TUBING FRAME
- 1" X 1/8" MILD STEEL ANGLE
- 1/2" #13 FLATTENED EXPANDED METAL
- STEEL PADLOCK PLATE WELDED TO ENCLOSURE
- COMES WITH POUR IN PLACE CAGESETTER (SURFACE MOUNT OPTIONAL)
- POWDER COATED
- LIMITED WARRANTY (5 YEARS) (POWDER COAT 1 YEAR)
- CUSTOMIZE ANY ENCLOSURE ~ CALL FACTORY FOR PRICE AND LEAD TIMES

